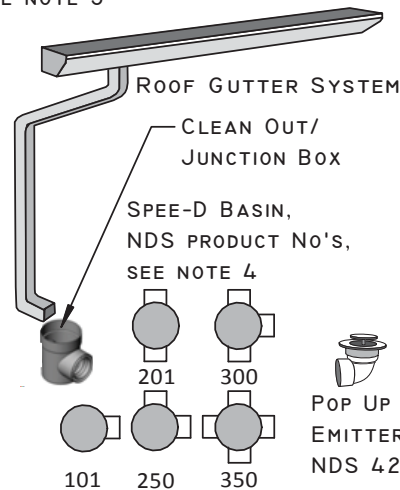
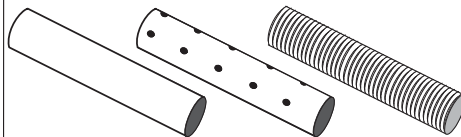
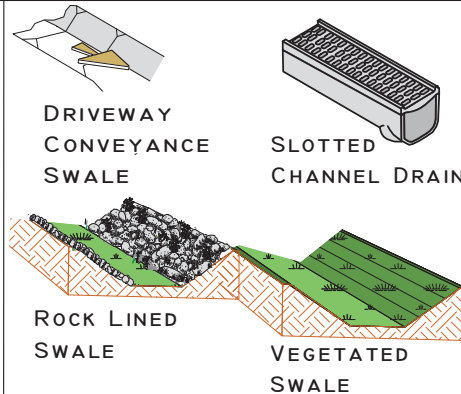


(RESIDENTIAL USE ONLY)
BEST MANAGEMENT PRACTICE
INFILTRATION SYSTEM COMPONENTS

STANDARD DRAWING REFERENCES:

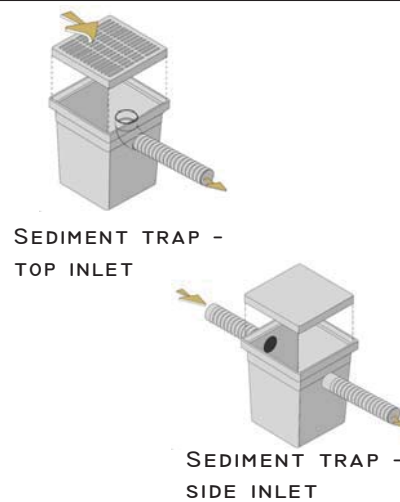
CONVEYANCE

BMP-020, 021, 022, 005, 007

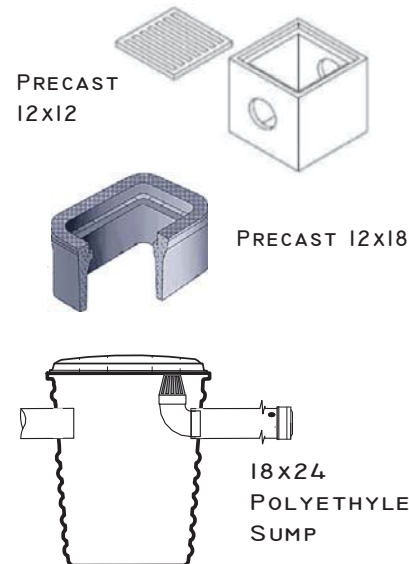


FILTRATION

BMP-030

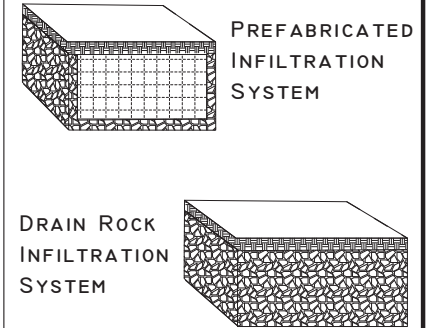


SEDIMENT TRAP ALTERNATIVES:



INFILTRATION

BMP-007



PREFABRICATED SYSTEM
PRODUCT ALTERNATIVES:

INVISIBLE STRUCTURES
RAINSTORE®



CULTEC
STORMCHAMBER®



NOTES:

1. THIS DRAWING ILLUSTRATES THE VARIOUS COMPONENTS AND ALTERNATIVE PRODUCTS AVAILABLE TO DESIGN INFILTRATION SYSTEMS. THE NATURAL RESOURCES CONSERVATION SERVICE AND THE CONSERVATION DISTRICTS DO NOT ENDORSE ANY PARTICULAR BMP PRODUCTS.
2. REFER TO BMP "SITE EVALUATION RECOMMENDED TREATMENTS" FORM AND BMP SITE PLAN FOR FOR THE APPLICABLE BMPs DESIGNED FOR THE PROPERTY.
3. INSTALL CLEAN OUTS AS NECESSARY FOR SUBSURFACE CONVEYANCE SYSTEMS. REFER TO DETAILS IN BMP-005, "SUBSURFACE CONVEYANCE SYSTEM."
4. USE PRODUCTS SHOWN (OR EQUAL) IN CONJUNCTION WITH ROOF GUTTER SYSTEMS TO PROVIDE INLETS AND OUTLETS, CLEAN-OUTS, AND JOIN MULTIPLE PIPES AS NECESSARY.

U.S. DEPARTMENT OF AGRICULTURE
NATURAL RESOURCES CONSERVATION SERVICE
IN COOPERATION WITH
**TAHOE RESOURCE CONSERVATION DISTRICT, AND
NEVADA TAHOE CONSERVATION DISTRICT**

DRAWN BY: CLT APPROVED BY: DATE

CLT